

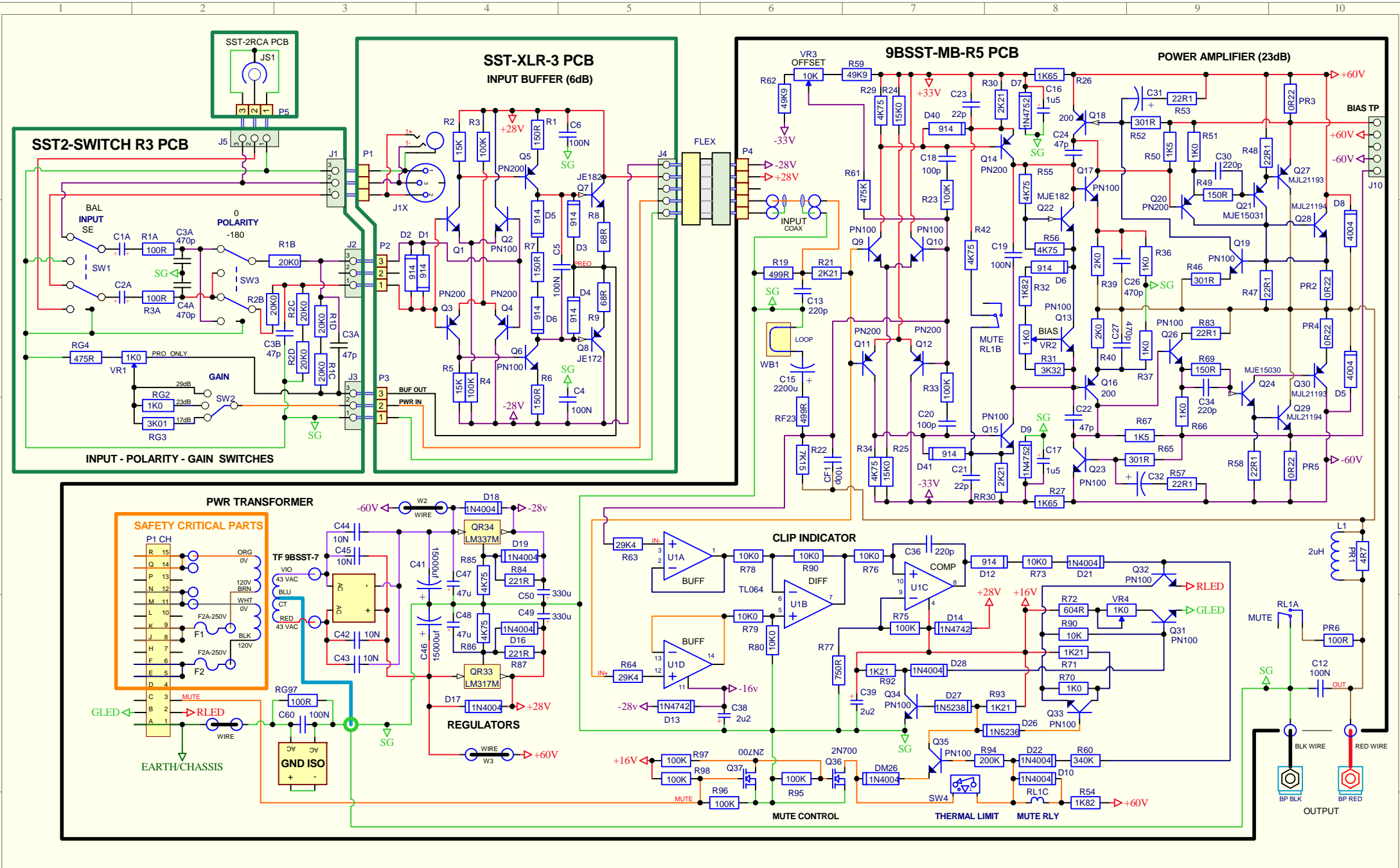
FOR AUDIO SCHEMATIC SEE
9BSST2 CHANNEL SCHEMATIC

BRYSTON LTD
P.O. BOX 2170, 677 NEAL DR. PETERSBOROUGH, ON, CANADA K9J 7Y4
PHONE (705) 742-5325 FAX (705) 742-0882 WWW.BRYSTON.CA

Title: **9B SST2 PWR OVERVIEW SCParts**

File: _____ Sheet: **1** of _____ Rev: _____

Date: **1003** Drawn: **ST**



Title : 9BSST2 CHANNEL SCHEMATIC
 Date : 1003 Drawn : ST Sheet : 1 Rev : 1